

# SlashPRO® SLASH RESISTANT CLOTHING CATALOGUE 2019



SlashPRO®  
Clothing

# Contents

---

2. Introduction – SlashPRO® Slash Resistant Clothing

3. About Cut-Tex® PRO

## UPPER BODY

4. SlashPRO® Slash Resistant V-Neck T-Shirt

5. SlashPRO® Slash Resistant V-Neck Sweatshirt

6. SlashPRO® Slash Resistant Turtleneck Jacket

7. SlashPRO® Slash Resistant UBAC Shirt

8. SlashPRO® Slash Resistant Hoodie with Kangaroo Front Pocket

9. SlashPRO® Slash Resistant Turtleneck Sweatshirt with Thumbholes

10. SlashPRO® Slash Resistant Body Armour Base Layer

11. SlashPRO® Slash Resistant Balaclava

## LOWER BODY

12. SlashPRO® Slash Resistant Boxer Shorts

13. SlashPRO® Slash Resistant Long Johns

## ARM GUARDS

14. SlashPRO® Slash Resistant Arm Guards V1

15. SlashPRO® Slash Resistant Arm Guards V2

16. SlashPRO® Slash Resistant Arm Guards V3

17. Contact

# SlashPRO® Clothing

The risk of being slashed with an edged weapon is a harsh reality for those working in hostile environments.

Professionals in homeland security, prisons, correctional facilities and law enforcement face potential attacks, as well as being required to attend incidents of self-harm where a person may become violent.

Slash related injuries can cause severe infection, life-changing disabilities and even fatal blood loss. This is not to mention the long-term psychological trauma inflicted on the member of staff.

Assaults on frontline professionals are on the rise – so it pays to protect staff against the very worst-case scenarios.

**SlashPRO® Clothing** effectively helps to reduce the risks of slash related injuries. All garments offer BS EN 388:2016 blade cut resistance level 5, providing professionals with the ultimate defense against an ever-increasing problem.

“ I performed multiple tests on the durability of the SlashPRO® shirt. I utilized straight and serrated blades while testing the shirt. I did not have any success piercing through the arms or shoulder area of the shirt. I believe the shirt works very well for its intended purpose.

- Deputy Henry Schneider - Santa Rosa County Sheriff's Office - Team Leader / Emergency Response Team - Tactical Corrections Operator

## Why is SlashPRO® Clothing So Important?

- Attacks on police officers, who sustained injury, topped 7,903 in 2015. This was from a total of 23,000 reported to Health and Safety departments within police forces in the UK.
- In the USA, the FBI conducted a survey in 2013 on the number of officers assaulted with knives/blades. These were higher than the amount of attacks using firearms. This number has increased year on year up to the present day.
- Attacks in prisons are on the increase. There were 5,423 assaults on prison staff in the 12 months to the end of March 2016 - a rise of 40% on the previous year. This is only likely to increase further over the coming years.
- According to the 2013 Correctional Officer Wellness and Safety Literature Review, correctional officers are involved in the highest amount of non-fatal violent encounters than any other occupation.
- A study by the National Institute of Justice in 2007, discovered there are approximately 2,000 correctional staff member injuries annually due to violence against officers by inmates.
- The BBC reported in April 2014 that the number of serious attacks on UK prison officers by inmates increased by 45% in two years.
- A study in the US concluded that, in 2011, for every 10,000 full-time corrections officers, there were 254 workplace assaults and violent injuries - 36 times the rate for all American workers. In 2013, 15 workplace fatalities of correctional workers were reported nationwide, in a workforce of nearly 470,000 people.
- On 27th February 2016 the UK based Mirror Newspaper claimed that prisoners have assaulted more than 1,000 prison officers in just two months. These include 95 of the highest category 'serious' assaults on staff, such as being slashed with homemade weapons. The two monthly totals is equivalent to more than 16 prison officers being attacked each day. The figures show that 905 officers were victims of the lesser 'assault' during this period. This represented a surge of 15%.



SlashPRO® Slash Resistant UBAC Shirt



Visit our website: [www.slash-pro.com](http://www.slash-pro.com)

T: +44 (0) 845 5193 953 | E: [info@slash-pro.com](mailto:info@slash-pro.com)

# About Cut-Tex<sup>®</sup> PRO

## Cut-Tex<sup>®</sup> PRO

The Ultimate Cut Protection™

Cut-Tex<sup>®</sup> PRO is an ultra-high performance cut, bite and slash resistant fabric, comfortable to wear, fully machine washable and of truly exceptional strength and durability - making it the ideal material for SlashPRO<sup>®</sup> Slash Resistant Clothing.

As you can see below, Cut-Tex<sup>®</sup> PRO performs very highly in all cut, tear and abrasion tests:

### Cut-Tex<sup>®</sup> PRO Performance Chart:

➤ **Cut Resistance** - ISO 13997:1999



➤ **Cut Resistance** - ANSI/ISEA 2016 Blade Resistance Levels A1-A9



➤ **Abrasion Resistance** - EN 388:2016 Abrasion Resistance Levels 1-4



➤ **Cut Resistance** - EN 388:2003 (coupe test) Cut Resistance Levels 1-5



➤ **Tear Resistance** - EN 388:2016 Tear Resistance Levels 1-4



➤ **Puncture Resistance** - EN 388:2016 Puncture Resistance Levels 1-4



➤ **Cut Resistance** - EN ISO 13997 (TDM-100 Test)



➤ **Fabric Weight** - GSM



Visit our website: [www.slash-pro.com](http://www.slash-pro.com)

T: +44 (0) 845 5193 953 | E: [info@slash-pro.com](mailto:info@slash-pro.com)

Product: **SlashPRO® Slash Resistant T Shirt**

Model #: **100108**



SlashPRO® Slash Resistant T-Shirts are manufactured using Cut-Tex® PRO - offering absolutely outstanding, tested and certified levels of cut, abrasion and tear resistance.

### Features & Benefits

- Cut-Tex® PRO used on the entire garment providing excellent cut and slash resistance
- 100% Latex free

### Who Is This Product Suitable For?

Professionals working within these sectors:

- Law Enforcement
- Military
- Corrections / Prison Service
- Immigration
- Customs
- Border Control
- Private Security & Military Contractors
- Civil Enforcement

**Material Content** 100% Cut-Tex® PRO

### Blade Cut Resistance

EN 388:2016 Level 5

ISO 13997:1999 Level 5

ASTM F 2992-15 Level 5

### Abrasion Resistance

EN 388:2016 Level 3

### Tear Resistance

EN 388:2016 Level 4

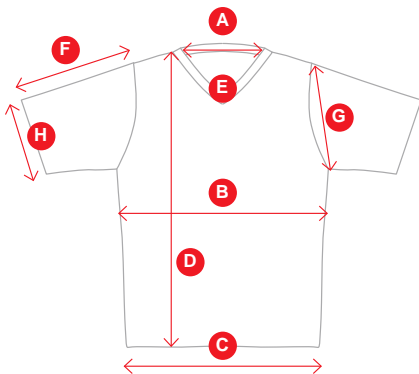
Dimensional Stability Test Achieved excellent results

Sizes S - 5XL

Clothing Care Machine washable up to 40° Celsius

Colour Grey

Place of Manufacture EU



Description	S	M	L	XL	2XL	3XL
A Collar	15	16	17	18	19	20
B Chest	50	52	54	56	60	64
C Hem	51	53	55	57	61	65
D Front body	64	66.5	69	71.5	74	76.5
E Shoulder width	43	46	49	52	55	58
F Sleeve overarm	21	22	23	24	25	26
G Arm opening/hole	20	21	23	24	26	27
H Sleeve cuff opening	16	18	20	22	23	24

All measurements are taken flat in centimetres. All measurements are approximate and offered as a guideline only.





Product: **SlashPRO® Slash Resistant Sweatshirt (Long Sleeve)**

Model #: **100109**



SlashPRO® Slash Resistant Sweatshirts are manufactured using Cut-Tex® PRO - offering absolutely outstanding, tested and certified levels of cut, abrasion and tear resistance.

**Features & Benefits**

- Cut-Tex® PRO used on the entire garment providing excellent cut and slash resistance
- 100% Latex free

**Who Is This Product Suitable For?**

Professionals working within these sectors:

- Law Enforcement
- Military
- Corrections / Prison Service
- Immigration
- Customs
- Border Control
- Private Security & Military Contractors
- Civil Enforcement

Material Content 100% Cut-Tex® PRO

**Blade Cut Resistance**

EN 388:2016 Level 5

ISO 13997:1999 Level 5

ASTM F 2992-15 Level 5

**Abrasion Resistance**

EN 388:2016 Level 3

**Tear Resistance**

EN 388:2016 Level 4

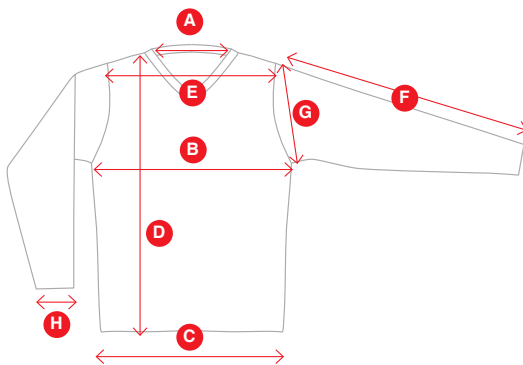
Dimensional Stability Test Achieved excellent results

Sizes S - 5XL

Clothing Care Machine washable up to 40° Celsius

Colour Grey

Place of Manufacture EU



Description	S	M	L	XL	2XL	3XL
A Collar	15	16	17	18	19	20
B Chest	50	52	54	56	60	64
C Hem	50	52	54	56	60	64
D Front body	64	66.5	69	71.5	74	76.5
E Shoulder width	43	46	49	52	55	58
F Sleeve overarm	56	57	58	59	61	62
G Arm opening/hole	20	21	23	24	26	27
H Sleeve cuff opening	10	11	12	13	14	15

All measurements are taken flat in centimetres.  
All measurements are approximate and offered as a guideline only.



Visit our website: [www.slash-pro.com](http://www.slash-pro.com)

T: +44 (0) 845 5193 953 | E: [info@slash-pro.com](mailto:info@slash-pro.com)

Product: **SlashPRO® Slash Resistant Turtleneck Jacket**

Model #: **100117**



SlashPRO® Slash Resistant Jackets are manufactured using Cut-Tex® PRO - offering absolutely outstanding, tested and certified levels of cut, abrasion and tear resistance.

### Features & Benefits

- Cut-Tex® PRO used on the entire garment providing excellent bite resistance
- High neck prevents neck and vertebral arteries from being exposed
- Zipped front makes this garment more user friendly
- 100% Latex free

### Who Is This Product Suitable For?

Professionals working within these sectors:

- Mental Health Care
- Special Needs
- Special Education
- Challenging Behaviour
- Learning Disabilities
- Autism

**Material Content** 100% Cut-Tex® PRO

### Blade Cut Resistance

EN 388:2016 Level 5

ISO 13997:1999 Level 5

ASTM F 2992-15 Level 5

### Abrasion Resistance

EN 388:2016 Level 3

### Tear Resistance

EN 388:2016 Level 4

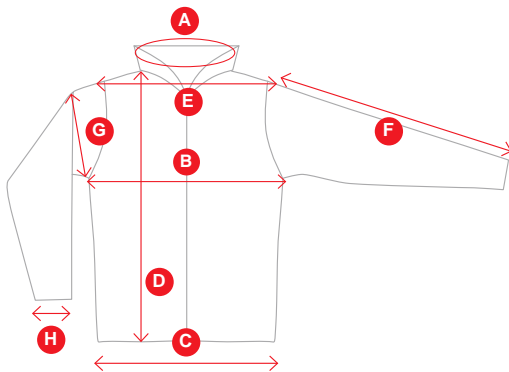
Dimensional Stability Test Achieved excellent results

Sizes S - 5XL

Clothing Care Machine washable up to 40° Celsius

Colour Grey

Place of Manufacture EU



	Description	S	M	L	XL	2XL	3XL	4XL
A	Collar <b>C</b>	45.5	46.5	47.5	48.5	49.5	50.5	51.5
B	Chest	53	56	59	62	65	68	71
C	Hem	53	56	59	62	65	68	71
D	Front body length	69	72	75	78	81	84	87
E	Shoulder width	43	46	49	52	55	58	61
F	Sleeve overarm	60	62	64	66	67	68	68
G	Arm opening/hole	24	25	26	27	28	29	30
H	Sleeve cuff opening	10	10	11	11	12	13	14

All measurements are taken flat in centimetres, unless indicated with **C**.  
All measurements are approximate and offered as a guideline only.  
**C** = Circumference measurement.

**Cut-Tex® PRO**

Product: **SlashPRO® Slash Resistant UBAC Shirt**

Model #: **100115**



SlashPRO® Slash Resistant UBAC Shirts are manufactured using Cut-Tex® PRO - offering absolutely outstanding, tested and certified levels of cut, abrasion and tear resistance - providing an effective shield and protects areas often unguarded by common body armour e.g. key arteries from laceration and subsequent rapid blood loss.

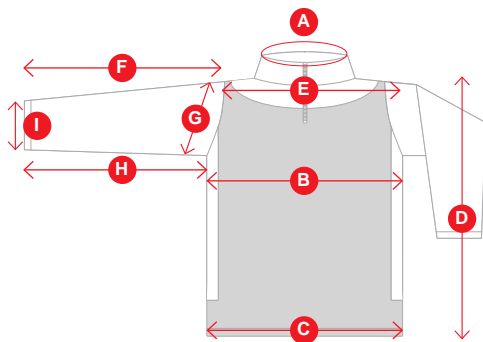
### Features & Benefits

- Offering comfortable yet effective cut protection to the radial artery, brachial artery, carotid artery and axillary artery whilst wearing body armour. Laceration of either of these arteries can lead to rapid blood loss and potential death.
- Two upper arm pockets (for small notepad and pens) with Velcro for rank patches, blood patches or other attachments
- Machine washable
- Thumb loops to keep sleeves in place
- 100% Latex free

### Who Is This Product Suitable For?

Professionals working within these sectors:

- Law Enforcement
- Military
- Corrections / Prison Service
- Immigration
- Customs
- Border Control
- Private Security & Military Contractors
- Civil Enforcement



All measurements are taken flat in centimetres, unless indicated with **C**.  
All measurements are approximate and offered as a guideline only.  
**C** = Circumference measurement. **†** = Length from neck point to hem.

### Material Content

100% Cut-Tex® PRO + 100% Polyester

### Blade Cut Resistance

EN 388:2016	Level 5
ISO 13997:1999	Level 5
ASTM F 2992-15	Level 5

### Abrasion Resistance

EN 388:2016	Level 3
-------------	---------

### Tear Resistance

EN 388:2016	Level 4
-------------	---------

Dimensional Stability Test Achieved excellent results

Sizes S - 5XL

Clothing Care Machine washable up to 40° Celsius

Colour Grey

Place of Manufacture EU

	Description	S	M	L	XL	2XL	3XL	4XL
A	Collar <b>C</b>	44.5	45	45.5	46	46.5	47	48
B	Chest	51	54	57	60	63	66	69
C	Hem	51	54	57	60	63	66	69
D	Front Body <b>†</b>	69	72	75	78	81	84	87
E	Shoulder Width	43	46	49	52	55	58	61
F	Sleeve Overarm	61	62	63	64	65	66	67
G	Arm Opening/Hole	20	21	22	23	24	25	26
H	Under Arm Length	46.5	48	49.5	51	52.5	54	55.5
I	Sleeve Cuff Opening	11	12	13	14	15	16	16

Cut-Tex® PRO



Product: **SlashPRO® Slash Resistant Hoodie with Kangaroo Front Pocket**

Model #: **100102**



SlashPRO® Slash Resistant Hoodies are manufactured using Cut-Tex® PRO - offering absolutely outstanding, tested and certified levels of cut, abrasion and tear resistance.

### Features & Benefits

- Cut-Tex® PRO used on the entire garment providing excellent cut and slash resistance
- 100% Latex free

### Who Is This Product Suitable For?

Professionals working within these sectors:

- Law Enforcement
- Military
- Corrections / Prison Service
- Immigration
- Customs
- Border Control
- Private Security & Military Contractors
- Civil Enforcement

### Material Content

100% Cut-Tex® PRO + 100% Polyester

### Blade Cut Resistance

EN 388:2016 Level 5

ISO 13997:1999 Level 5

ASTM F 2992-15 Level 5

### Abrasion Resistance

EN 388:2016 Level 3

### Tear Resistance

EN 388:2016 Level 4

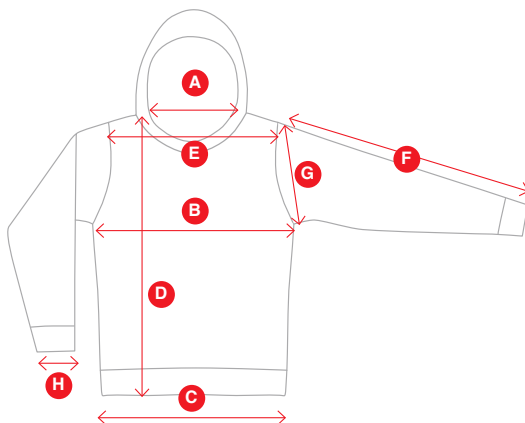
Dimensional Stability Test Achieved excellent results

Sizes S - 5XL

Clothing Care Machine washable up to 40° Celsius

Colour Grey

Place of Manufacture EU



	Description	S	M	L	XL	2XL	3XL
A	Collar	15	16	17	18	19	20
B	Chest	50	52	54	56	60	64
C	Hem	51	53	55	57	61	65
D	Front body	64	66.5	69	71.5	74	76.5
E	Shoulder width	43	46	49	52	55	58
F	Sleeve overarm	61	62	63	64	65	66
G	Arm opening/hole	20	21	23	24	26	27
H	Sleeve cuff opening	8.5	9	9.5	10	10.5	11

All measurements are taken flat in centimetres. All measurements are approximate and offered as a guideline only.



Product: **SlashPRO® Slash Resistant Turtleneck Sweatshirt with Thumbholes**

Model #: **100107**



SlashPRO® Slash Resistant Sweatshirts are manufactured using Cut-Tex® PRO - offering absolutely outstanding, tested and certified levels of cut, abrasion and tear resistance.

### Features & Benefits

- Cut-Tex® PRO used on the entire garment providing excellent cut and slash resistance
- High neck prevents neck and vertebral arteries from being exposed
- Thumbhole sleeves prevent the wrist and radial artery from being exposed
- 100% Latex free

### Who Is This Product Suitable For?

Professionals working within these sectors:

- Law Enforcement
- Military
- Corrections / Prison Service
- Immigration
- Customs
- Border Control
- Private Security & Military Contractors
- Civil Enforcement

**Material Content** 100% Cut-Tex® PRO + 100% Polyester

### Blade Cut Resistance

EN 388:2016	Level 5
ISO 13997:1999	Level 5
ASTM F 2992-15	Level 5

### Abrasion Resistance

EN 388:2016	Level 3
-------------	---------

### Tear Resistance

EN 388:2016	Level 4
-------------	---------

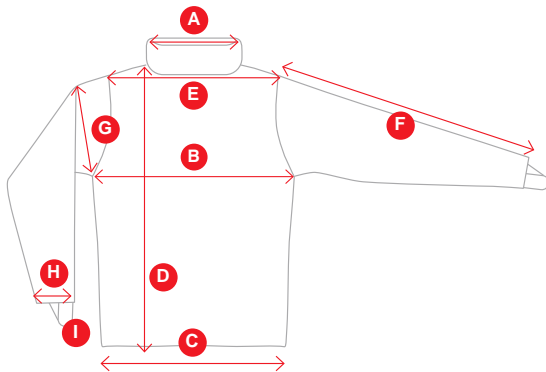
Dimensional Stability Test Achieved excellent results

Sizes S - 5XL

Clothing Care Machine washable up to 40° Celsius

Colour Grey

Place of Manufacture EU



	Description	S	M	L	XL	2XL
A	Collar	18	19	20	21	22
B	Chest	50	52	54	56	60
C	Hem	50	52	54	56	60
D	Front body length	64	66.5	69	71.5	74
E	Shoulder width	43	46	49	52	55
F	Sleeve overarm	62	62	64	64	66
G	Arm opening/hole	20	21	23	24	26
H	Sleeve cuff opening	10	11	12	13	14
I	Thumbhole	5	5	5	5	5.5

All measurements are taken flat in centimetres.  
All measurements are approximate and offered as a guideline only.

**Cut-Tex® PRO**

Product: **SlashPRO® Slash Resistant Body Armour  
Base Layer**

Model #: **100112**



SlashPRO® Slash Resistant Body Armour Base Layers are manufactured using Cut-Tex® PRO - offering absolutely outstanding, tested and certified levels of cut, abrasion and tear resistance.

### Features & Benefits

- Cut-Tex® PRO used under the arm and the unprotected sides of the upper body - providing excellent cut and slash resistance
- 100% Latex free

### Who Is This Product Suitable For?

Professionals working within these sectors:

- Law Enforcement
- Military
- Corrections / Prison Service
- Immigration
- Customs
- Border Control
- Private Security & Military Contractors
- Civil Enforcement

**Material Content** 100% Cut-Tex® PRO + 100% Polyester

### Blade Cut Resistance

EN 388:2016 Level 5

ISO 13997:1999 Level 5

ASTM F 2992-15 Level 5

### Abrasion Resistance

EN 388:2016 Level 3

### Tear Resistance

EN 388:2016 Level 4

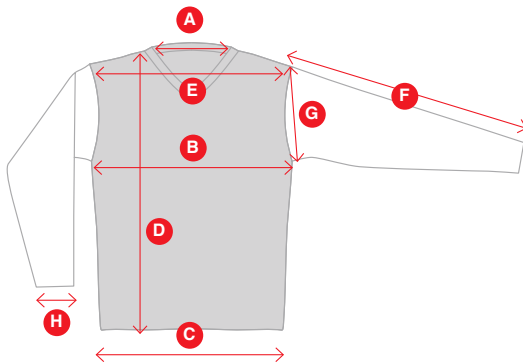
Dimensional Stability Test Achieved excellent results

Sizes S - 5XL

Clothing Care Machine washable up to 40° Celsius

Colour Grey

Place of Manufacture EU



	Description	S	M	L	XL	2XL	3XL
A	Collar <b>C</b>	42.5	43	43.5	44	44.5	45
B	Chest	51	54	57	60	63	66
C	Hem	51	54	57	60	63	66
D	Front body length	69	72	75	78	81	84
E	Shoulder width	43	46	49	52	55	58
F	Sleeve overarm	57	58	59	60	61	62
G	Arm opening/hole	20	21	22	23	24	25
H	Sleeve cuff opening	11	12	13	14	15	16

All measurements are taken flat in centimetres, unless indicated with **C**.  
All measurements are approximate and offered as a guideline only.  
**C** = Circumference measurement.

Cut-Tex® PRO

Product: **SlashPRO<sup>®</sup> Slash Resistant Balaclava**

Model #: **100121**



SlashPRO<sup>®</sup> Slash Resistant Balaclavas are manufactured using Cut-Tex<sup>®</sup> PRO - offering absolutely outstanding, tested and certified levels of cut, abrasion and tear resistance.

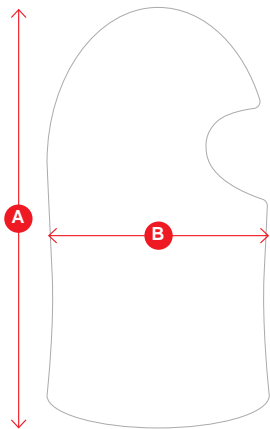
### Features & Benefits

- Cut-Tex<sup>®</sup> PRO used on the entire garment providing excellent cut and slash resistance
- Ideal for forced entry operations and riot teams
- Effectively protecting Carotid Artery
- 100% Latex free

### Who Is This Product Suitable For?

Professionals working within these sectors:

- Law Enforcement
- Military
- Corrections / Prison Service
- Immigration
- Customs
- Border Control
- Private Security & Military Contractors
- Civil Enforcement



Material Content 100% Cut-Tex<sup>®</sup> PRO + 100% Polyester

### Blade Cut Resistance

EN 388:2016 Level 5

ISO 13997:1999 Level 5

ASTM F 2992-15 Level 5

### Abrasion Resistance

EN 388:2016 Level 3

### Tear Resistance

EN 388:2016 Level 4

Dimensional Stability Test Achieved excellent results

Sizes S - 2XL

Clothing Care Machine washable up to 40° Celsius

Colour Grey

Place of Manufacture EU

	Description	S/M	L/XL	2XL/3XL
A	Height	43	45	47
B	Width	24	26	28



Product: **SlashPRO® Slash Resistant Boxer Shorts**

Model #: **200150**

SlashPRO® Slash Resistant Boxer Shorts are manufactured using Cut-Tex® PRO - offering absolutely outstanding, tested and certified levels of cut, abrasion and tear resistance.



### Features & Benefits

- Excellent cut and slash protection
- 100% Latex free

### Who Is This Product Suitable For?

Professionals working within these sectors:

- Law Enforcement
- Military
- Corrections / Prison Service
- Immigration
- Customs
- Border Control
- Private Security & Military Contractors
- Civil Enforcement

### Material Content

100% Cut-Tex® PRO + 100% Polyester

### Blade Cut Resistance

EN 388:2016 Level 5

ISO 13997:1999 Level 5

ASTM F 2992-15 Level 5

### Abrasion Resistance

EN 388:2016 Level 3

### Tear Resistance

EN 388:2016 Level 4

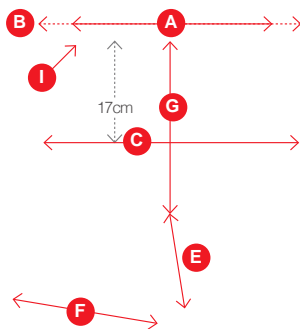
Dimensional Stability Test Achieved excellent results

Sizes S - 5XL

Clothing Care Machine washable up to 40° Celsius

Colour Grey

Place of Manufacture EU



Description	S	M	L	XL	2XL	3XL
A Waist (relaxed)	30	34	38	42	46	50
B Waist (stretched)	45	49	53	57	61	65
C Hip - 17cm below waist	46	49	52	55	58	61
D Side leg length†	42	43	44	45	46	47
E Inside leg	20	20	20	20	20	20
F Leg opening	29	30	31	32	33	34
G Front rise†	28	29	30	31	32	33
H Back rise†	30	31	32	33	34	35
I Waist band depth	4	4	4	4	4	4

All measurements are taken flat in centimetres.  
All measurements are approximate and offered as a guideline only.

†Including waistband.

Cut-Tex® PRO

Product: **SlashPRO<sup>®</sup> Slash Resistant Long Johns**

Model #: **200102**



SlashPRO<sup>®</sup> Slash Resistant Long Johns are manufactured using Cut-Tex<sup>®</sup> PRO - offering absolutely outstanding, tested and certified levels of cut, abrasion and tear resistance.

### Features & Benefits

- Excellent cut and slash protection for the lower part of the body
- Slim fit
- Adjustable cord
- 100% Latex free

### Who Is This Product Suitable For?

Professionals working within these sectors:

- Law Enforcement
- Military
- Corrections / Prison Service
- Immigration
- Customs
- Border Control
- Private Security & Military Contractors
- Civil Enforcement

### Material Content

100% Cut-Tex<sup>®</sup> PRO + 100% Polyester

### Blade Cut Resistance

EN 388:2016 Level 5

ISO 13997:1999 Level 5

ASTM F 2992-15 Level 5

### Abrasion Resistance

EN 388:2016 Level 3

### Tear Resistance

EN 388:2016 Level 4

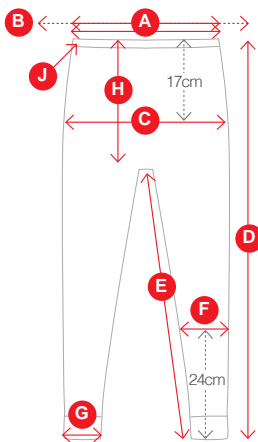
Dimensional Stability Test Achieved excellent results

Sizes S - 5XL

Clothing Care Machine washable up to 40° Celsius

Colour Grey

Place of Manufacture EU



Description	S	M	L	XL	2XL	3XL
A Waist (relaxed)	30	34	38	42	46	50
B Waist (stretched)	45	49	53	57	61	65
C Hip - 17cm below waist	46	49	52	55	58	61
D Outside leg length†	100.5	101	101.5	102	102.5	103
E Inside leg	76.5	77	77.5	78	78.5	79
F Calf width	22	22.5	23	23.5	24	24.5
G Ankle width	14	14	16	16	18	18
H Front rise†	28	29	30	31	32	33
I Back rise†	30	31	32	33	34	35
J Waist band depth	4	4	4	4	4	4

All measurements are taken flat in centimetres.  
All measurements are approximate and offered as a guideline only.  
†Including waistband.

Cut-Tex<sup>®</sup> PRO

Product: **SlashPRO® Slash Resistant  
Arm Guards V1**

Model #: **100500**

SlashPRO® Arm Guards (Version 1) are manufactured using Cut-Tex® PRO - offering absolutely outstanding, tested and certified levels of cut, abrasion and tear resistance.



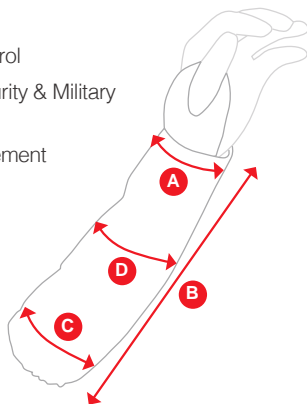
### Features & Benefits

- Sold in pairs
- Overtly worn
- Excellent cut and slash resistance
- Thumbhole for improved fit
- Quick and easy to put on
- Highly breathable inner lining
- Durable and water repellent outer material
- 100% Latex free
- Also available as model with additional outstanding protection from severe bruising and blunt forced trauma - Model 100503

### Who Is This Product Suitable For?

Professionals working within these sectors:

- Law Enforcement
- Military
- Corrections / Prison Service
- Immigration
- Customs
- Border Control
- Private Security & Military Contractors
- Civil Enforcement



### Blade Cut Resistance

EN 388:2003	Level 5 (the highest possible)
ISO 13997:1999	Level 5 (the highest possible)
ASTM F 1790-05	Level 4

### Abrasion Resistance

EN 388:2003	Level 4 (the highest possible)
-------------	--------------------------------

### Tear Resistance

EN 388:2003	Level 4 (the highest possible)
-------------	--------------------------------

Dimensional Stability Test	Achieved excellent results
----------------------------	----------------------------

CE Marking	Cat II PPE Directive
------------	----------------------

Sizes	S - XL
-------	--------

Clothing Care	Machine washable up to 40° Celsius
---------------	------------------------------------

Colour	Black
--------	-------

Place of Manufacture	EU
----------------------	----

	Description	S	M	L	XL
A	Cuff width	10	11	12	13
B	Sleeve length	23	26	29	29
C	Elasticated arm cuff (relaxed)	11	13	15	17
D	Arm width*	13	15	17	19

All measurements are taken flat in centimetres. All measurements are approximate and offered as a guideline only.  
\*Measured 14cm down from the elasticated cuff.

Product: **SlashPRO® Slash Resistant Arm Guards V2**

Model #: **100501**



SlashPRO® Arm Guards (Version 2) are manufactured using Cut-Tex® PRO - offering absolutely outstanding, tested and certified levels of cut, abrasion and tear resistance.

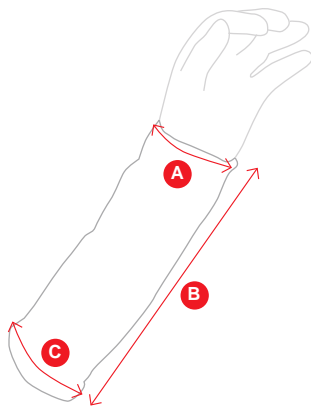
### Features & Benefits

- Sold in pairs
- Excellent cut and slash resistance
- Worn tight around the forearm
- 100% Latex free

### Who Is This Product Suitable For?

Professionals working within these sectors:

- Law Enforcement
- Military
- Corrections / Prison Service
- Immigration
- Customs
- Border Control
- Private Security & Military Contractors
- Civil Enforcement



### Blade Cut Resistance

EN 388:2003	Level 5 (the highest possible)
ISO 13997:1999	Level 5 (the highest possible)
ASTM F 1790-05	Level 4

### Abrasion Resistance

EN 388:2003	Level 4 (the highest possible)
-------------	--------------------------------

### Tear Resistance

EN 388:2003	Level 4 (the highest possible)
-------------	--------------------------------

Dimensional Stability Test	Achieved excellent results
----------------------------	----------------------------

CE Marking	Cat II PPE Directive
------------	----------------------

Sizes	S - XL
-------	--------

Clothing Care	Machine washable up to 40° Celsius
---------------	------------------------------------

Colour	Grey
--------	------

Place of Manufacture	EU
----------------------	----

Description	S	M	L	XL
A Cuff width	9	10	11	12
B Sleeve length	22	24	25	26
C Arm width	11	12	13	14

All measurements are taken flat in centimetres. All measurements are approximate and offered as a guideline only.



Product: **SlashPRO® Slash Resistant Arm Guards V3**

Model #: **100504**

SlashPRO® Arm Guards (Version 3) are manufactured using Cut-Tex® PRO - offering absolutely outstanding, tested and certified levels of cut, abrasion and tear resistance.



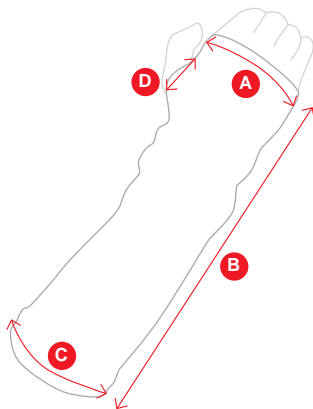
### Features & Benefits

- Sold in pairs
- Excellent cut and slash resistance
- Worn tight around the forearm
- Also offering bite protection on inside and back of hand
- Thumbhole for improved fit
- 100% Latex free

### Who Is This Product Suitable For?

Professionals working within these sectors:

- Law Enforcement
- Military
- Corrections / Prison Service
- Immigration
- Customs
- Border Control
- Private Security & Military Contractors
- Civil Enforcement



### Blade Cut Resistance

EN 388:2003	Level 5 (the highest possible)
ISO 13997:1999	Level 5 (the highest possible)
ASTM F 1790-05	Level 4

### Abrasion Resistance

EN 388:2003	Level 4 (the highest possible)
-------------	--------------------------------

### Tear Resistance

EN 388:2003	Level 4 (the highest possible)
-------------	--------------------------------

Dimensional Stability Test	Achieved excellent results
----------------------------	----------------------------

CE Marking	Cat II PPE Directive
------------	----------------------

Sizes	S - XL
-------	--------

Clothing Care	Machine washable up to 40° Celsius
---------------	------------------------------------

Colour	Grey
--------	------

Place of Manufacture	EU
----------------------	----

	Description	S	M	L	XL
A	Cuff width	9	10	11	12
B	Sleeve length	30	32	33	34
C	Arm width	11	12	13	14
D	Thumbhole opening	6	6	6	6

All measurements are taken flat in centimetres. All measurements are approximate and offered as a guideline only.

# Contact

---

**SlashPRO® Slash Resistant Clothing is part of PPSS Group**

## **PPSS Group**

Whitfield Business Park  
Unit 1-2, Manse Lane  
Knaresborough  
HG5 8BS  
United Kingdom

T: **+44 (0) 845 5193 953**

E: **info@ppss-group.com**

W: **www.ppss-group.com**



Visit our website: [www.slash-pro.com](http://www.slash-pro.com)

T: +44 (0) 845 5193 953 | E: [info@slash-pro.com](mailto:info@slash-pro.com)